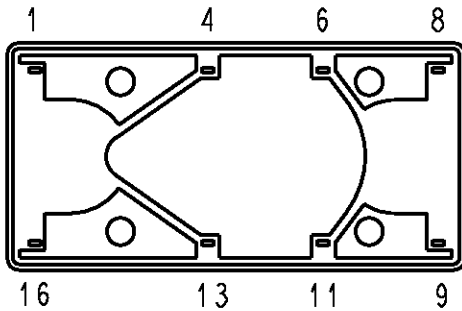
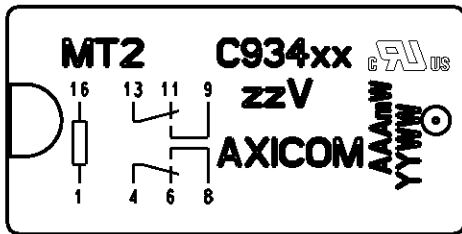
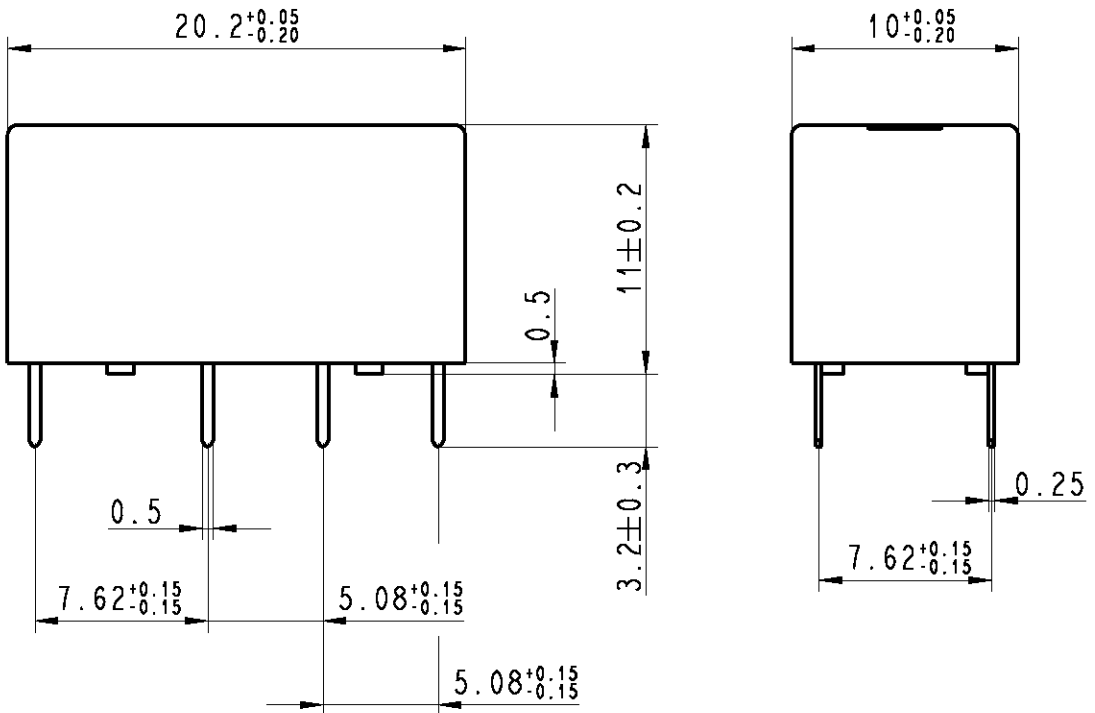


LOC	DIST	REVISIONS					
HJ	-	P	LTR	DESCRIPTION	DATE	DWN	APVD
		A6		REVISED PER ECO-11-005150	25MAR11	RK	HMR



Relay - bottom view



xx = Relay type  
 zz = nominal voltage  
 AAA = power  
 YYWW = Date code

DRAWING ALIAS C93400-599-Dok03

RELEASED FOR PUBLICATION

ALL RIGHTS RESERVED.

THIS DRAWING IS UNPUBLISHED.

© COPYRIGHT BY -

DIMENSIONS: mm	DWN	28Jun2004	MATERIAL	FINISH				
	Vyskocil		-	-				
TOLERANCES UNLESS OTHERWISE SPECIFIED: DIN 7168-m	CHK	28Jun2004	TE Connectivity					
	HD 9121							
0 PLC ±- 1 PLC ± 2 PLC ± 3 PLC ± 4 PLC ± ANGLES ±-	APVD	28Jun2004	NAME MT2-Relay Dimensions					
	HD 9121							
	PRODUCT SPEC	-	SIZE	CAGE CODE	DRAWING NO	RESTRICTED TO		
	APPLICATION SPEC	-	A4	00779	C-1462000-2	-		
	WEIGHT	-	CUSTOMER DRAWING		SCALE	SHEET	OF	REV
					3:1	1	1	A6

